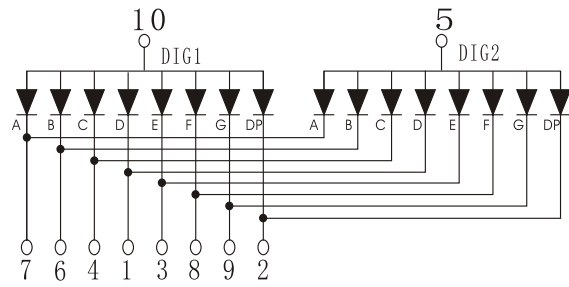
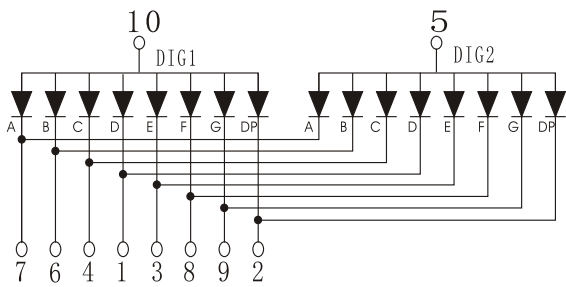


Part Number	Emitting Color	Wave Length λ_D (nm)	(at 20 mA)		Face
			V_F (v) Typ. Max.	I_V (mcd) Typ.	
CLD-5261 Δ S	Red	640	1.8-2.3	10	Black
CLD-5261 Δ E	Orange	610	2.0-2.4	12	Black
CLD-5261 Δ G	Green	568	2.2-2.6	18	Black
CLD-5261 Δ UB	Blue	465	3.0-3.6	45	Black

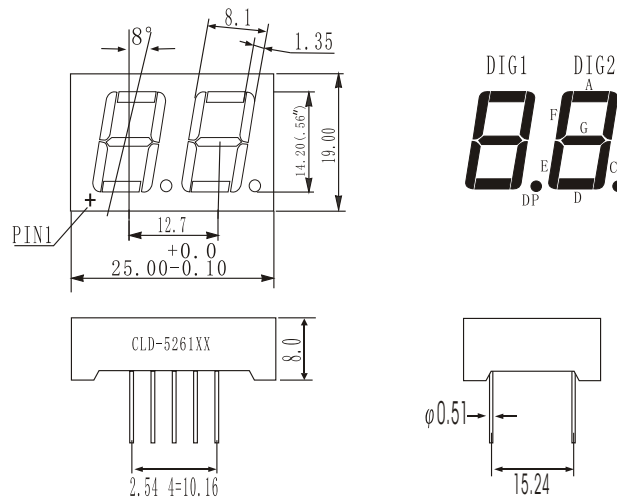
CLD-5261A (Com. Cathode)

CLD-5261B (Com. Anode)



Package Outlines

(unit:mm)



- Remark : 1. “ Δ ” represents Internal Circuit Feature: A、C、E...Common Cathode, B、D、F...Common Anode.
 2. “ \square ” represents LED Emitted Color.
 3. All dimensions are in millimeters, tolerance is 0.25mm unless otherwise noted.
 4. Above specification is measured by CHANGLI's test instrument and may be changed without notice.
 5. Supplier will reserve authority on material change for above specification.